

ID² Intelligent 2 Wire Fire Detection System for Professionals (ID2/2, ID2/4 & ID2/8)



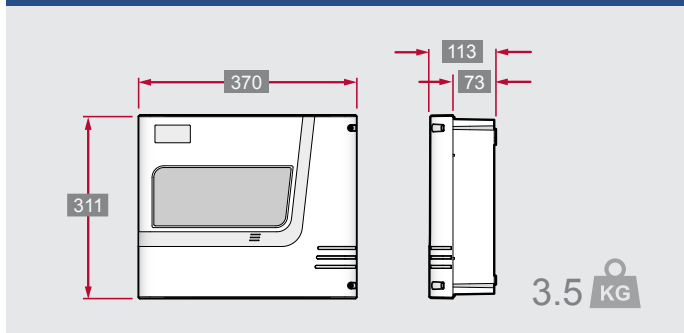
Description

Zeta Alarm Systems is proud to introduce the most advanced 2 wire system on the market. We can now provide a system that gives all of the benefits associated with a '2 Wire' installation (less cable, quicker installation, cost savings on labour/product) and has the facility to 'I.D.' the devices.

The system is built on the proven communication protocol developed by Zeta Alarm Systems and shares the same platform as our largest, most powerful system.

The ID2 can be used for new installations, as a retrofit for any conventional system or as a replacement for existing 2 wire systems when the extra features are deemed to be desirable/necessary. This is possible because the ID2 devices sit on radial circuits, thus making it easy to 'upgrade' a system with the facility to I.D. devices without the need to re-wire.

Dimensions (mm) & Weight (kg)



Technical Specification

Model	ID2/2	ID2/4	ID2/8
Part No.	37-660	37-661	37-663
Supply Voltage	230V AC +10% /- 15% @ 50/60 Hz		
System Voltage	29V DC Nominal (19 – 30 V)		
Sounder Output	Loop Powered Sounders 2 x Conventional sounder circuits 28V nominal, 150mA (20-30V DC)		
Fault Output	1 x Fault Relay SELV@1A (Normally Energised)		
Fire Output	1 x Fire Relay SELV@1A		
No. of Zones	2	4	8
Zone Capacity	15 Devices per Zone		
Max. No. of Detection Circuits	Radial Mode - 8 Radial Circuits Loop Mode - 1 Loop Circuit		
Max. Loop Sounder Quantity	80 Sounders		
Repeater Connection	RS485		
Dimensions (mm)	370(W) x 311(H) x 113(D)		

Features

- The system meets the full requirements of BSEN5839 parts 1 and 6. The control panel has been designed to meet EN54 parts 2 and 4.
- Each device can be uniquely identified by the panel
- Device Count Verification
- Alarm Verification
- 2048 Event History
- ID2 Smartphone App available for iOS and Android
- Cable Break protection
- Cable Short Circuit Protection

Smartphone App

Make "IDing" your devices a breeze with the ID2 smartphone app (available for iOS and Android)



