

Raptor Conventional Weatherproof Sounder (ZRP/R & ZRP/W)



Description

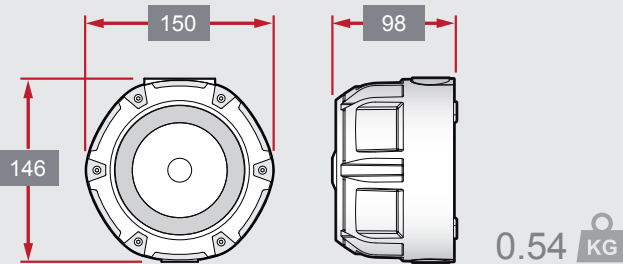
The Raptor conventional sounder is a large weatherproof horn sounder suitable for many indoor & outdoor applications.

It is available in red or white and has a selection of 22 tones. Termination of field wiring is made to the backbox for a clean first fix.

Features

- Complies with EN54 Part 3 Type B
- 107dB +/- 3dB @ 1m sound output
- 22 Tone patterns (site selectable)
- Suitable for surface mounting only
- Housed in UL V0 flame retardant ABS
- 3 x 20mm cable entries (2 top, 1 bottom)
- First fix, wire to back box technology
- IP65 Rating (certified to IP33C)

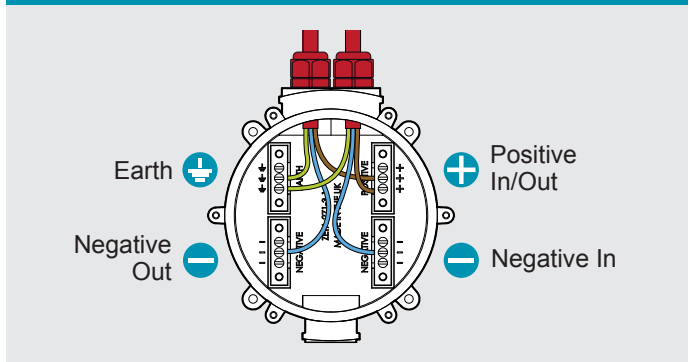
Dimensions & Weight



Technical Specification

Model	ZRP/R	ZRP/W
Part No.	42-630	42-631
Voltage	17 - 30V DC	
Current @ 30V DC	10mA	
Body Colour	Red	White
Sounder Type	B	
IP Rating	IP65 (certified to IP33C)	
Operating Temperature	-25°C to 70°C	
Sound Output @ 1m	*107dB +/- 3dB	
Size mm	150 x 146 x 98	
Weight	540g	

First Fix



* This applies to 'TONE 0' 800Hz and 970Hz, 500ms each