



Flame Detectors

Model: ZT-20EX / ZT-500EX

User Guide

47-153 / 47-154 , Rev. A, Aug 15, 2019



Zeta Alarms Limited

Detection House, 72-78 Morfa Road, Swansea, SA1 2EN, United Kingdom

Phone: +44(0)1792 455175 Fax: +44(0)1792 455176

Website: www.zetaalarmsystems.com

Email: info@zetaalarmsystems.com

<User Guide of ZT-20EX & ZT-500EX>

TABLE OF CONTENTS

<User Guide of ZT-20EX & ZT-500EX>	3
1 Unpack & Checking contents	4
2 Internal Wire Cabling & DIP SW setting	5
3 Installation	7
4 Operation	8
5 Technical Specification	14

LIST OF FIGURES

Figure 1. Product Contents & Outline Indication	4
Figure 2. Removing the back cover	5
Figure 3. Arranged for wire cabling	5
Figure 4. Connecting Wires & Securing the cable gland.....	6
Figure 5. Assembling & Combining the covers.....	6
Figure 6. Swivel Mount (TM-AL10).....	7
Figure 7. Swivel Mount (TM-ST10).....	7
Figure 8. Installed Detectors on wall	7
Figure 9. Typical 4-Wiring for Relay Contact Output.....	11
Figure 10. 4-20mA Output Jumper Placement	12
Figure 11. 4-20mA Source and Sink.....	13
Figure 12. RS-485 Networking.....	14

LIST OF TABLES

Table 1. Output Signals/LED Indications versus Detector State	8
Table 2. DIP Switch Settings	9
Table 3. Output Interface of Connection PCB.....	10

1 Unpack & Checking contents

- Unpack the delivered pack and check the following contents.

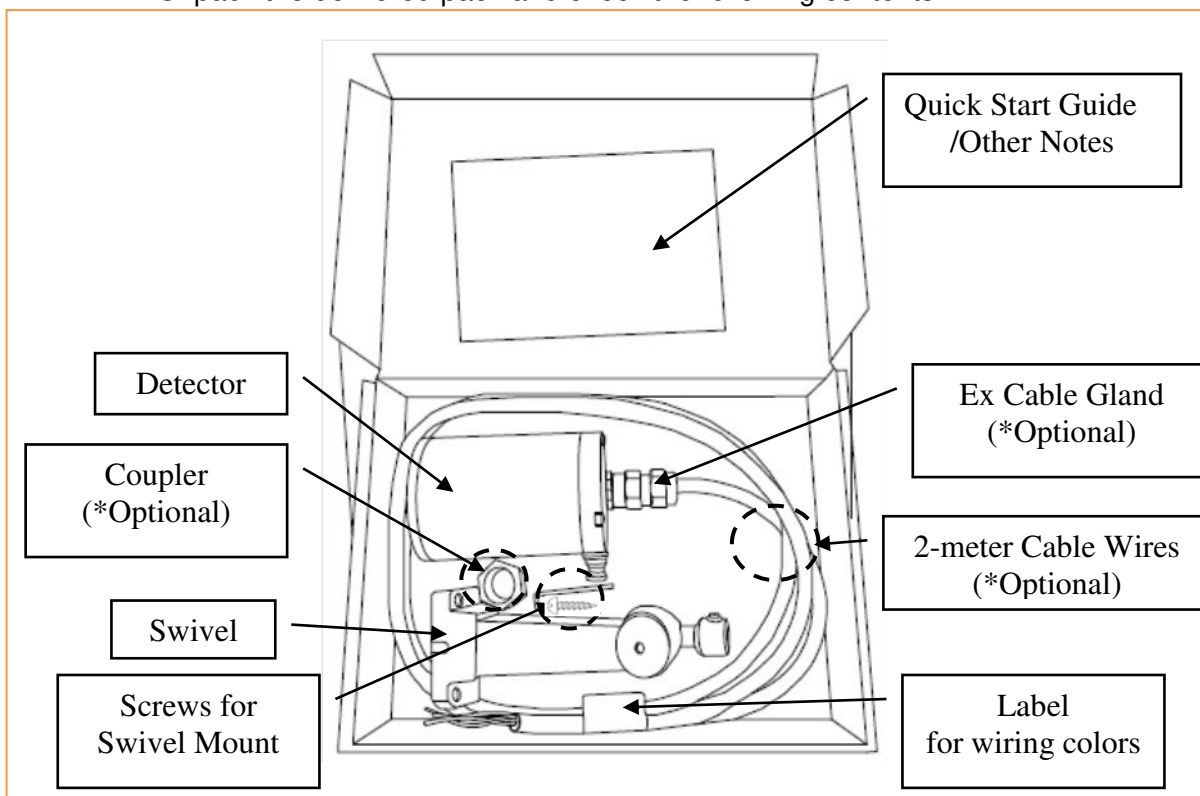
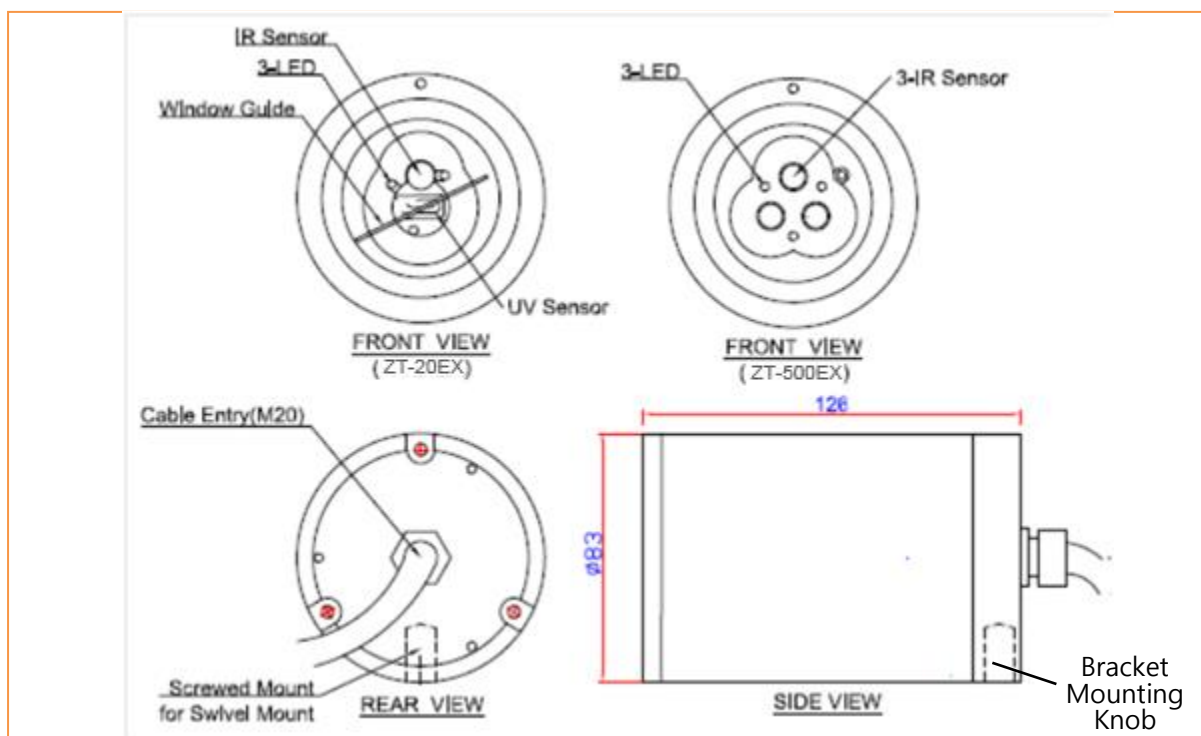


Figure 1. Product Contents & Outline Indication



2 Internal Wire Cabling & DIP SW setting

- 1). Loose the 3(three) socket-head cap screws of back cover and separate the back cover from the middle cover, as follows.
At this time, the internal connection harness (connecting the internal circuit boards) may be inevitably removed.

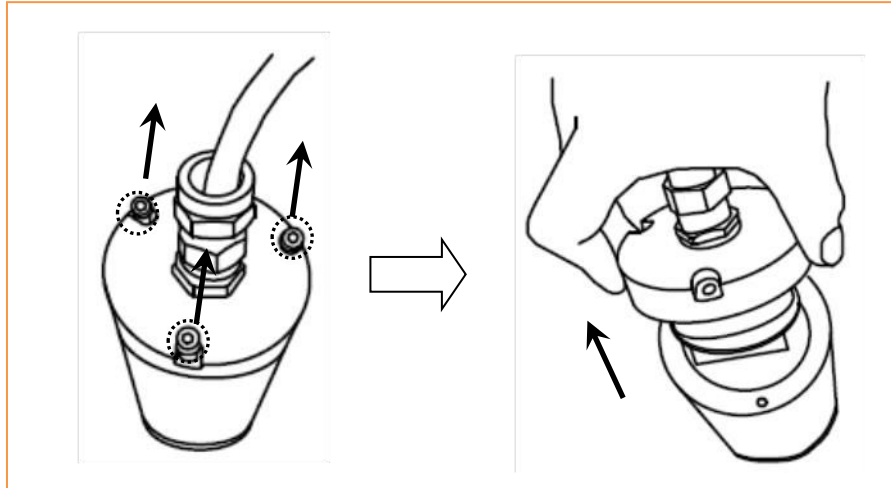


Figure 2. Removing the back cover

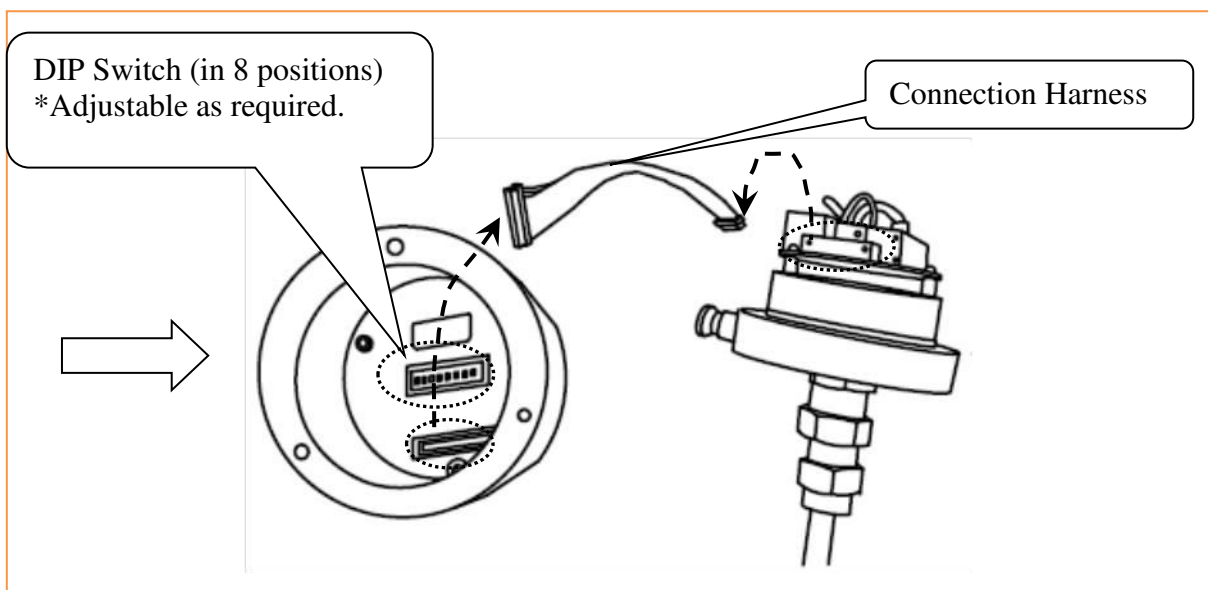


Figure 3. Arranged for wire cabling

- 2). If you need to change the sensitivity & any other user selectable settings, change it, referring to Table 2. DIP Switch Setting.
- 3). Connect(plug) the external cable wires into the relevant positions of terminal block on the connection PCB ,referring to the wiring configuration, as shown in Table 3. (Output Interface of Connection PCB).
- 4). After completion of internal wires connection, make sure to secure tightly the relevant Ex-proof cable gland into the Back Cover for ultimate water proof.

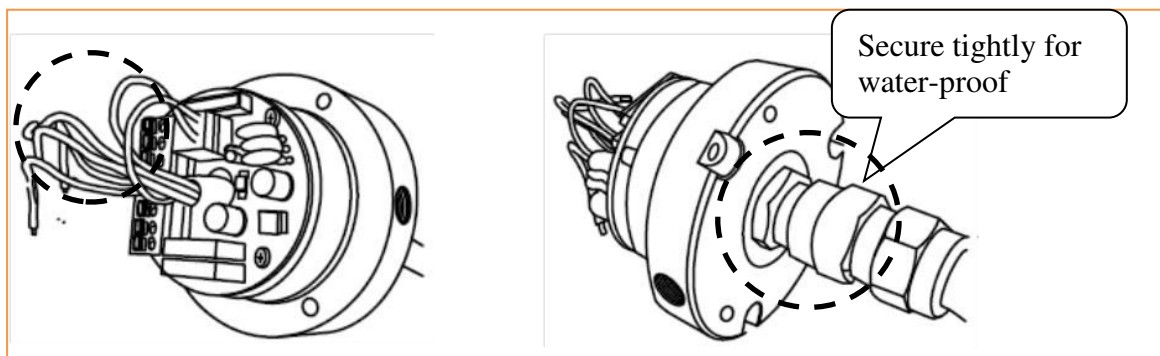


Figure 4. Connecting Wires & Securing the cable gland

- 5). Plug the end of removed connection harness first into the relevant connector on PCB of middle cover and then, into the relevant connector on PCB of back cover.
- 6). Pull the back cover into middle cover to combine these both covers
*Make sure to SECURELY plug each ends of connection harness to each connectors inside both covers. If not securely done, both PCBs would be disconnected.

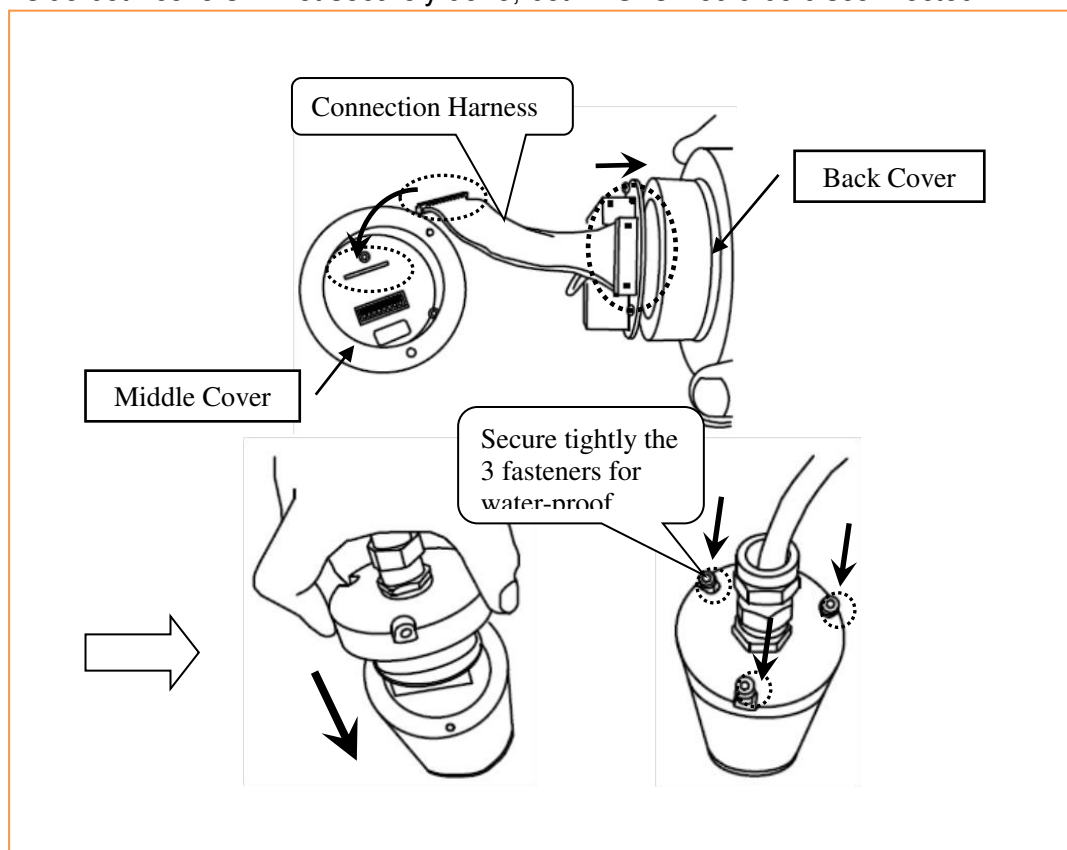


Figure 5. Assembling & Combining the covers

- 7). Screw up the 3(three) socket-head cap screws of back cover to combine the back cover with the middle cover.
Make sure that this screwing-up be done SECURELY and, otherwise, the detector may fail to meet the waterproof.

3 Installation

The detector can be mounted on the wall with either of two kinds of Swivel Mounts, (TM-AL10 in aluminum and TM-ST10 in SS316) which are optionally selectable by customers when ordering the detector.

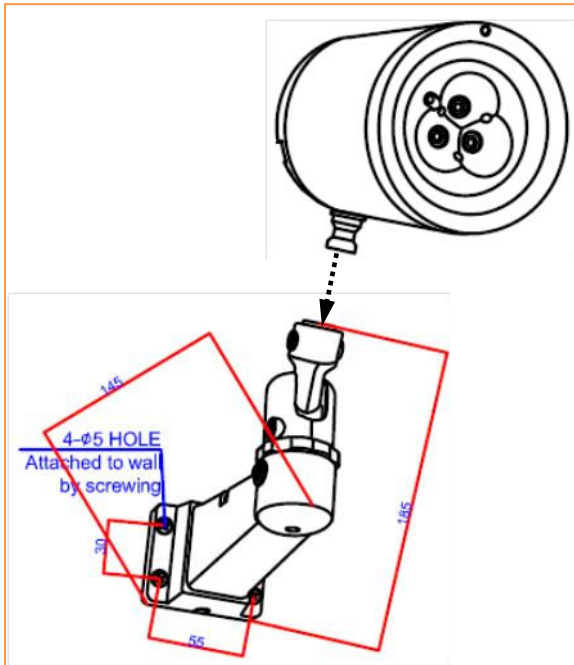


Figure 6. Swivel Mount (TM-AL10)

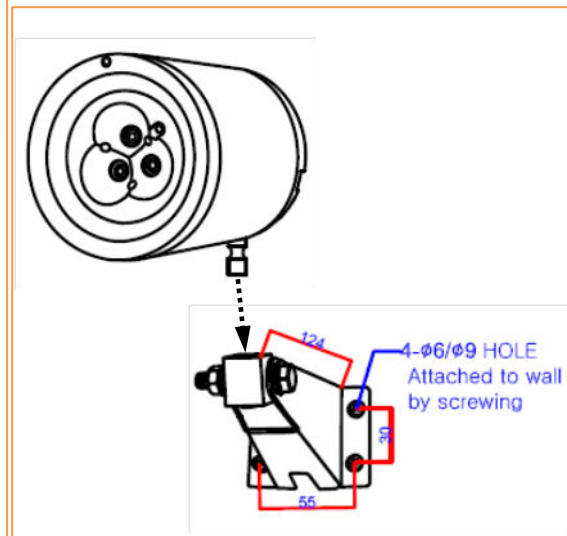


Figure 7. Swivel Mount (TM-ST10)

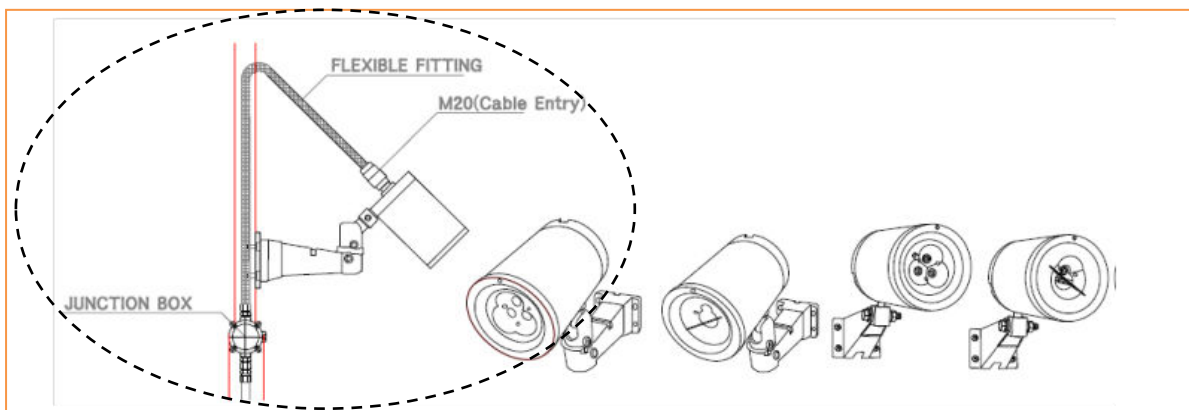


Figure 8. Installed Detectors on wall

- 1). Place the Swivel Mount in its designated location on the wall and secure it with the provided four (4) fasteners through four (4) holes of dia. 5.0 or 6.0mm.
- 2). Put the mounting pole of detector into the mounting hole of Swivel Mount and secure the detector by screwing the locking screws on Swivel Mount.
- 3). Release the locking screws on Swivel Mount in such a way that allows rotating the Detector which is combined the mounting hole of Swivel Mount. Point the detector towards the protected area and make certain that the view of

the area is unobstructed. Secure the detector in that position by tightening the locking screws on the Swivel mount.

The detector is now correctly located, aligned and ready to be connected to the system.

4 Operation

Once powered up, the detector will begin appr. 20 sec start-up routine. During this time, all three (3) LED indicators will be blinking. Once the start-up procedure has finished and no faults are present, the detector will begin Normal operation (Green LED will remain on).

Table 1. Output Signals/LED Indications versus Detector State

Detector Status	Green LED (Power)	Red LED (Alarm)	Yellow LED (Fault)	4-20mA Output
Power up – 20 second start delay	Blinking			2 mA
Internal Power Fault or system power out of range / Fault	Off	Off	Blinking	0 mA
Normal Operation	Solid	Off	Off	4 mA
Fire Detection(Warning)	Off	Solid	Off	16 mA
Fire confirmed	All LEDs blinking simultaneously			20 mA

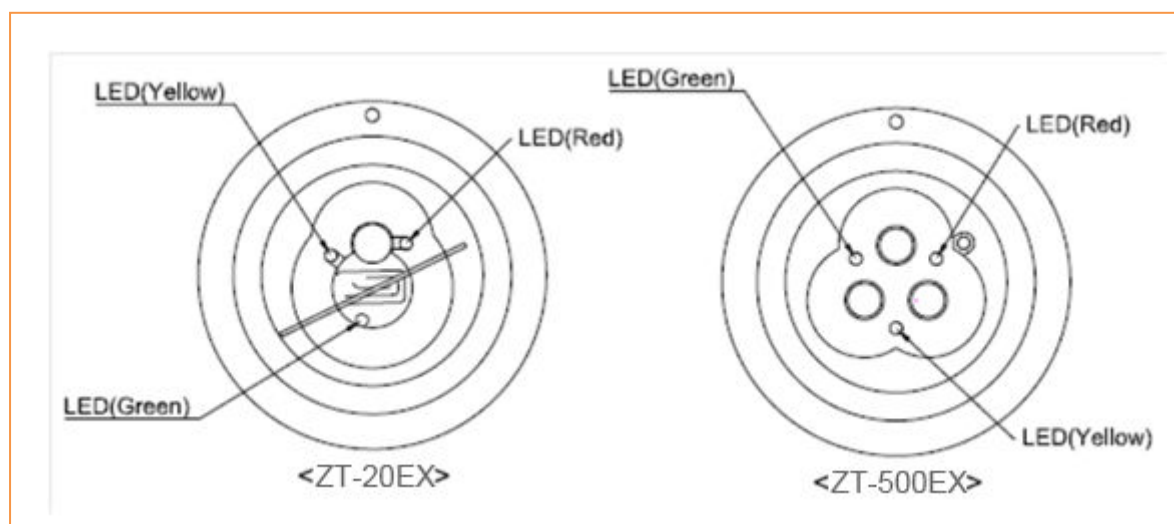


Table 2. DIP Switch Settings

DIP Switch Position No.								Mode Selections
1	2	3	4	5	6	7	8	
⊙	⊙							Sensitivity Range (1) OFF-OFF(00) : Highest OFF-ON(01) : High ON-OFF(10) : <u>Medium<default></u> ON-ON(11) : Low
		⊙	⊙					Alarm Delay Time (2) OFF-OFF(00) : 1 sec OFF-ON(01) : 3 sec ON-OFF : 5 sec ON-ON : <u>7 sec<default></u>
				⊙				Alarm Latch Setting (3) OFF(0) : <u>20 sec<default></u> ON(1) : until reset
					⊙			Reserved (for design setting) OFF(0) : <default>
						⊙		Reserved (for design setting) ON(1) : <default>
							⊙	Alarm Relay Setting (4) OFF(0) : <u>N.O<default></u> ON(1) : N.C

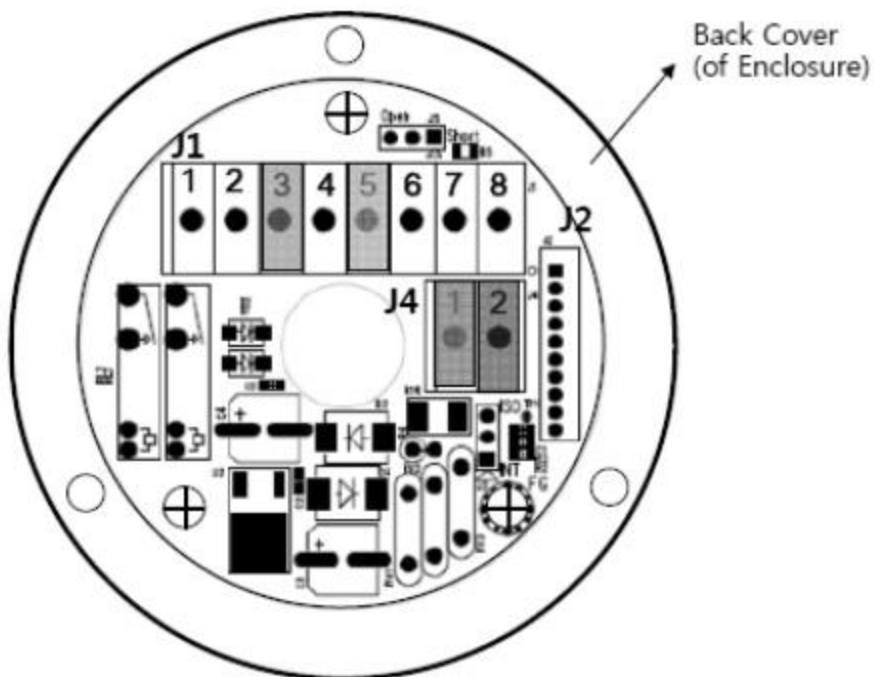
Notes:

- (1). The detector offers four (4) sensitivity settings. The settings refer to the n-Heptane fire of 1ft-sq.
- (2). When an Alarm (Detection) level condition is encountered, the detector delays the execution of the Alarm output relay by the specified period of time. The detector will then, additionally, evaluate the fire condition during the specified Alarm Delay Time. If the Alarm level is still present, the Alarm outputs will be activated. If this condition no longer exists, the detector will return to its standby state. The LED will indicate warning level during the delay time only if the fire condition exists.
- (3). The detector has a selectable latched alarm output capability, which operates according to the selectable function. If selected, upon the detection of a fire, the detection signal is latched until manually reset (disconnecting the power supply or

performing a manual BIT). Latching affects the ALARM RELAY, 4-20mA output, the ALARM LED.

- (4). The detector has a selectable option over alarm relay initialization between normally open, N.O. (as Default) and normally closed, N.C.

Table 3. Output Interface of Connection PCB



Output Interface of Connection PCB

J1	
1	Alarm Relay(N.O)
2	Alarm COM
3	Fault Relay(N.C)
4	Fault COM
5	4-20mA
6	ISO
7	RS485_P
8	RS485_M

J4	
1	Power(DC24V)
2	Return(-)

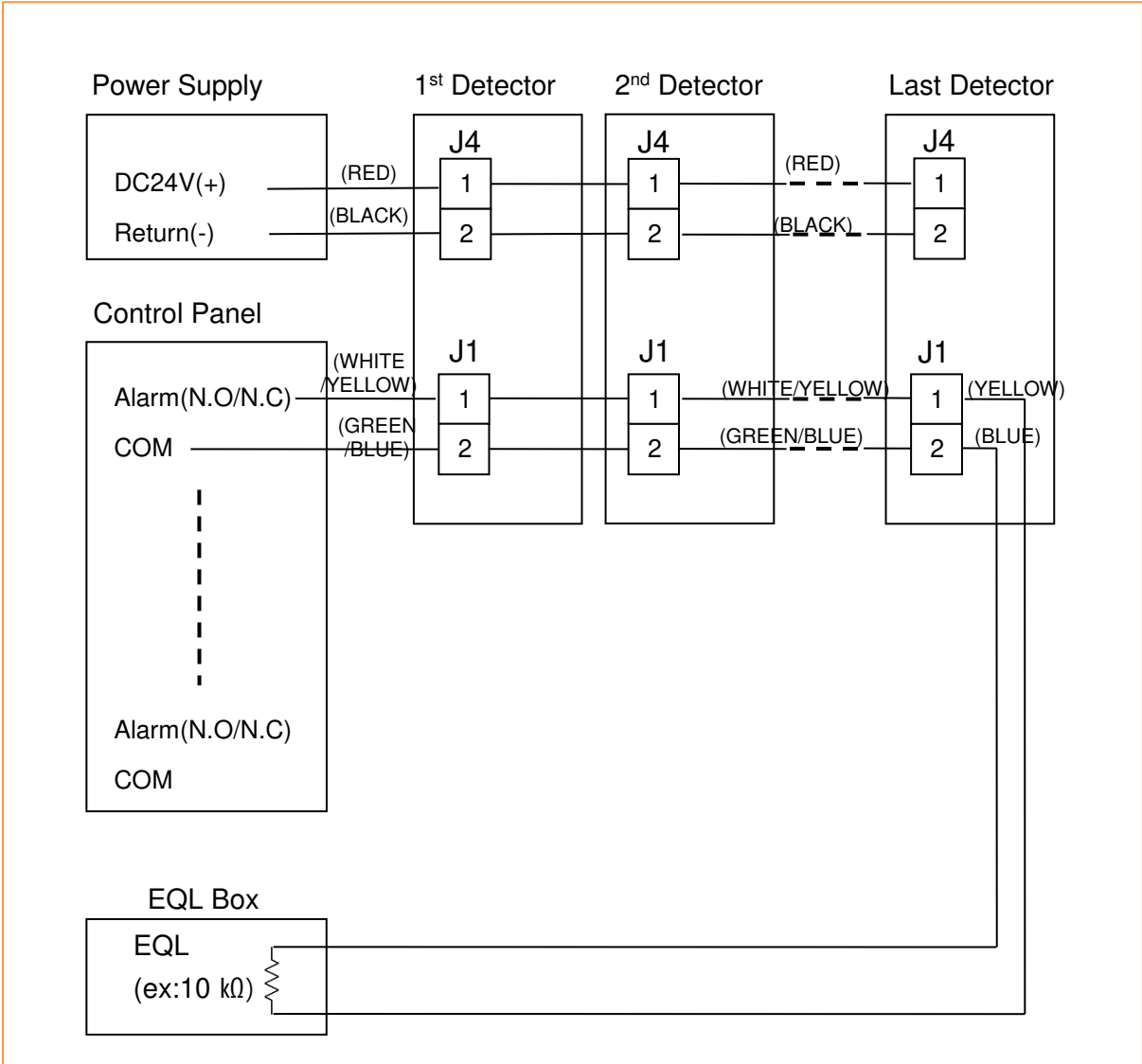


Figure 9. Typical 4-Wiring for Relay Contact Output

Notes: 1. () denotes an example of optional colour wirings.

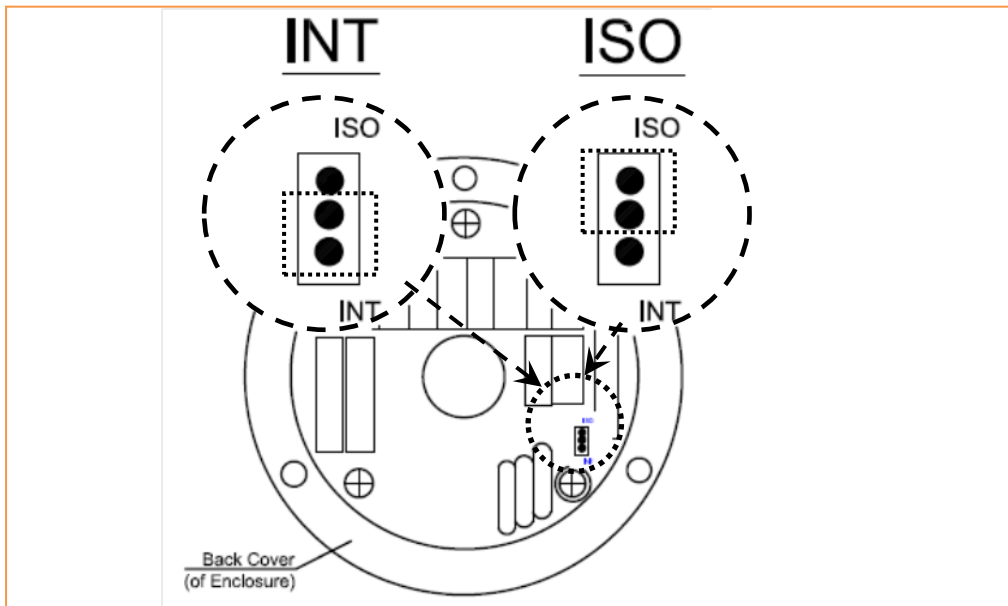


Figure 10. 4-20mA Output Jumper Placement

Note the INT and ISO Jumper position for each configuration.

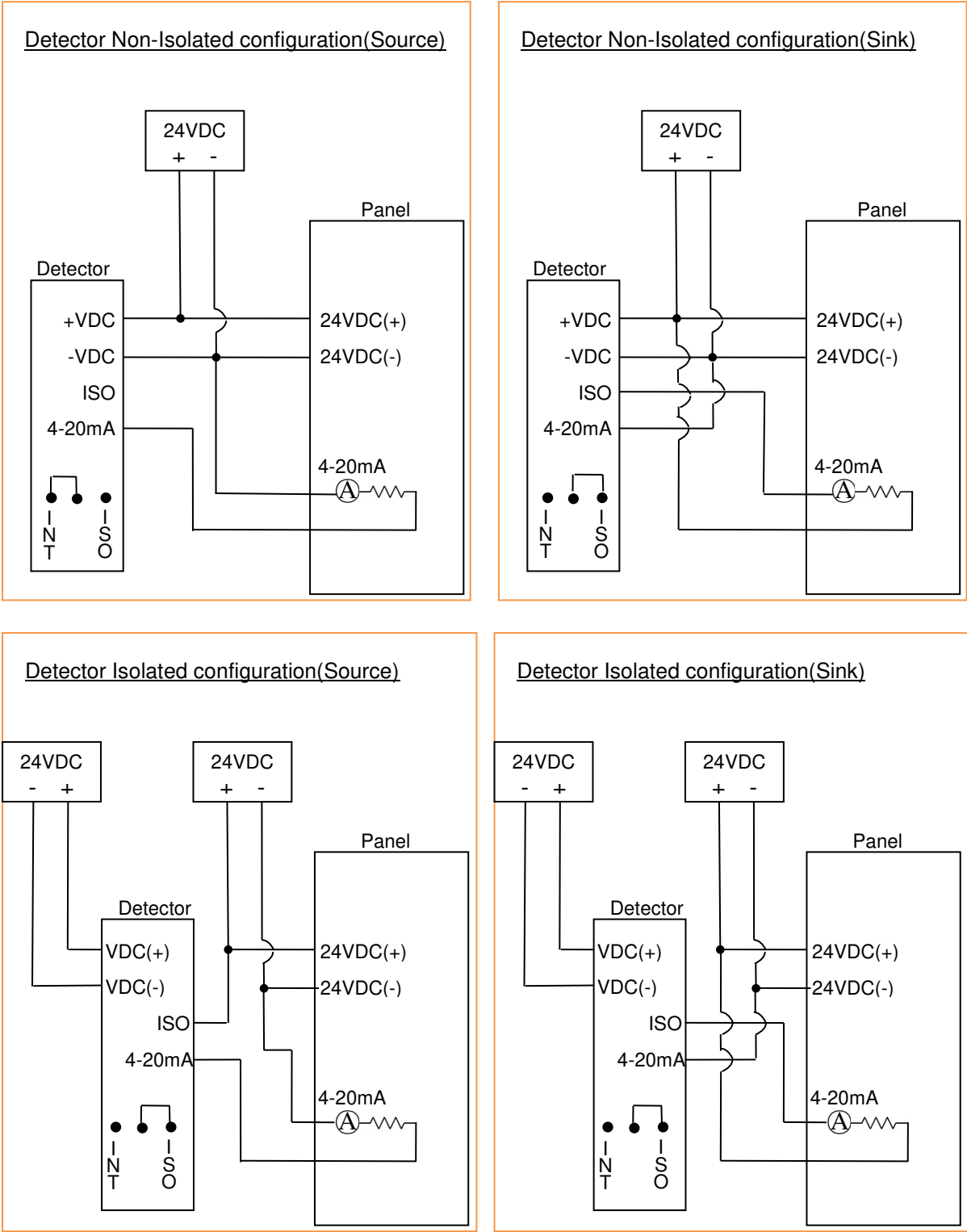


Figure 11. 4-20mA Source and Sink

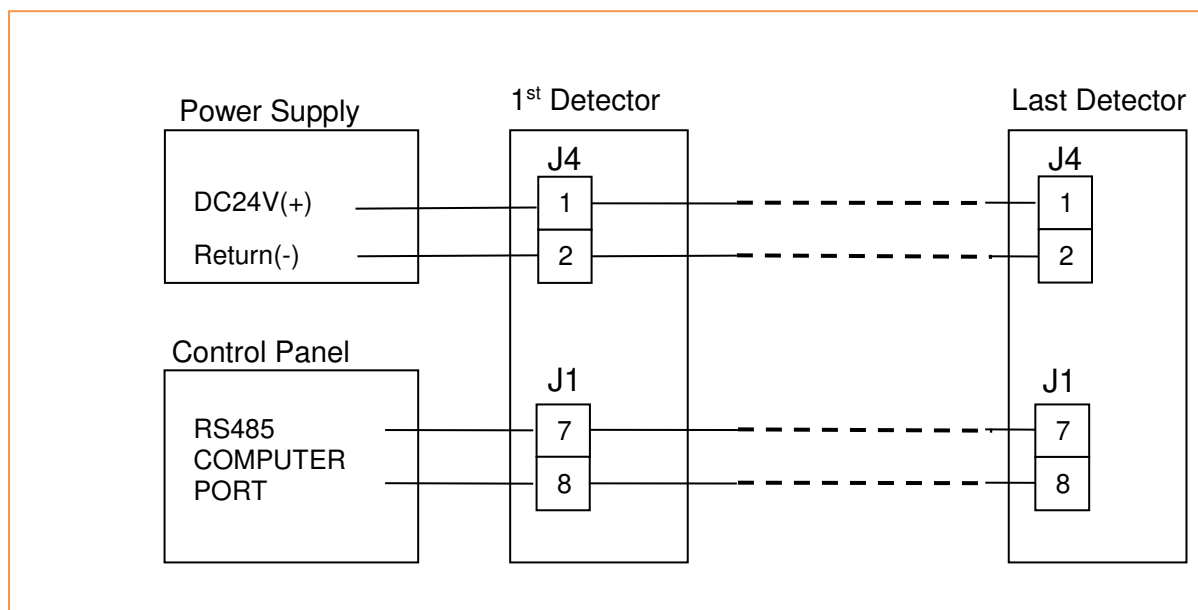


Figure 12. RS-485 Networking

5 Technical Specification

	ZT-20EX (UV/IR)	ZT-500EX (IR3)																																
GENERAL SPECIFICATION																																		
Spectrum Response	UV/IR (Dual Bands)	Triple IR bands																																
Detection Range	<table border="1"> <thead> <tr> <th>Fuel</th> <th>Distance</th> </tr> </thead> <tbody> <tr><td>n-Heptane</td><td>30m</td></tr> <tr><td>Gasoline</td><td>30m</td></tr> <tr><td>Diesel</td><td>20m</td></tr> <tr><td>LPG*</td><td>20m</td></tr> <tr><td>Ethanol</td><td>20m</td></tr> <tr><td>IPA</td><td>25m</td></tr> <tr><td>Methane**</td><td>20m</td></tr> </tbody> </table>	Fuel	Distance	n-Heptane	30m	Gasoline	30m	Diesel	20m	LPG*	20m	Ethanol	20m	IPA	25m	Methane**	20m	<table border="1"> <thead> <tr> <th>Fuel</th> <th>Distance</th> </tr> </thead> <tbody> <tr><td>n-Heptane</td><td>65m</td></tr> <tr><td>Gasoline</td><td>65m</td></tr> <tr><td>Diesel</td><td>45m</td></tr> <tr><td>LPG*</td><td>30m</td></tr> <tr><td>Ethanol</td><td>40m</td></tr> <tr><td>IPA</td><td>40m</td></tr> <tr><td>Methane**</td><td>35m</td></tr> </tbody> </table>	Fuel	Distance	n-Heptane	65m	Gasoline	65m	Diesel	45m	LPG*	30m	Ethanol	40m	IPA	40m	Methane**	35m
Fuel	Distance																																	
n-Heptane	30m																																	
Gasoline	30m																																	
Diesel	20m																																	
LPG*	20m																																	
Ethanol	20m																																	
IPA	25m																																	
Methane**	20m																																	
Fuel	Distance																																	
n-Heptane	65m																																	
Gasoline	65m																																	
Diesel	45m																																	
LPG*	30m																																	
Ethanol	40m																																	
IPA	40m																																	
Methane**	35m																																	
	*0.5m-high/0.2m-wide plume fire	*0.5m-high/0.2m-wide plume fire																																
	**30" plume fire	**30" plume fire																																
Response Time	Typically 5 seconds																																	
Adjustable Time Delay	1/3/5/7 seconds																																	
Sensitivity Range	4(four) ranges																																	
Field of View	Horizontal 90°, Vertical 90°																																	
Temperature Range	Operation/Storage: -40°C to 75°C																																	
Humidity	Up to 95% non-condensing																																	
ELECTRICAL SPECIFICATION																																		
Operating Voltage	24VDC nominal (18-32VDC)																																	
Power Consumption	Standby: max.65mA , Alarm: max.80mA																																	
Cable Entry	1 x M20 (ISO)																																	
Wiring	AWG 16-26 (Str 1.5mm ² to 0.13mm ²)																																	
Electromagnetic Compatibility	EMI/RFI protected to EN61000 series																																	
OUTPUTS																																		
Relays	Alarm(N.O/ N.C selectable), Fault(N.C)																																	

		SPST volt-free contacts rated 5A at 30VDC or 250VAC
	0-20mA (stepped)	Source & Sink, Isolated/Non-isolated configuration Fault: 0 +1mA Normal: 4mA±10% Warning: 16mA±5% Alarm: 20mA±5% Resistance Loop : max. 500Ω
	RS-485 <optional>	RS-485 Modbus compatible communication link that can be used in computer controlled installations
MECHANICAL SPECIFICATIONS		
	Materials	- Heavy duty copper free aluminium with bright grey - Stainless Steel 316L
	Mounting Bracket <Optional>	- Heavy duty copper free aluminium with bright grey - Stainless Steel 316L
	Dimensions	Detector: 83(D) x 126(L) mm
	Weight	Detector (aluminium): 1.0 kg Detector (ST 316L): 2.7kg Mounting Bracket (aluminium/ St.): 0.3kg / 0.7kg
APPROVALS		
	Hazardous Area	ATEX Ex II 2 G, Exd IIC T6, -40°C to +75°C
	Performance	- Designed to meet FM3260/EN-54-10 - KFI(for Korea) approved

For additional details or assistance, please contact:



Zeta Alarms Limited

Detection House, 72-78 Morfa Road, Swansea, SA1 2EN, United Kingdom

Phone: +44(0)1792 455175 Fax: +44(0)1792 455176

Website: www.zetaalarmsystems.com

Email: info@zetaalarmsystems.com